

**1140499**  
**AP 120 SPRING 40MT 230V 50HZ**

**3238980\_1140499\_R01W - R01W (2/5/2023)**



**Access Platform Division**

Via San Francesco d'Assisi, 8 - 46020 Pegognaga (Mantova) - ITALY Tel. +39 0376  
554011 - Fax +39 0376 559855

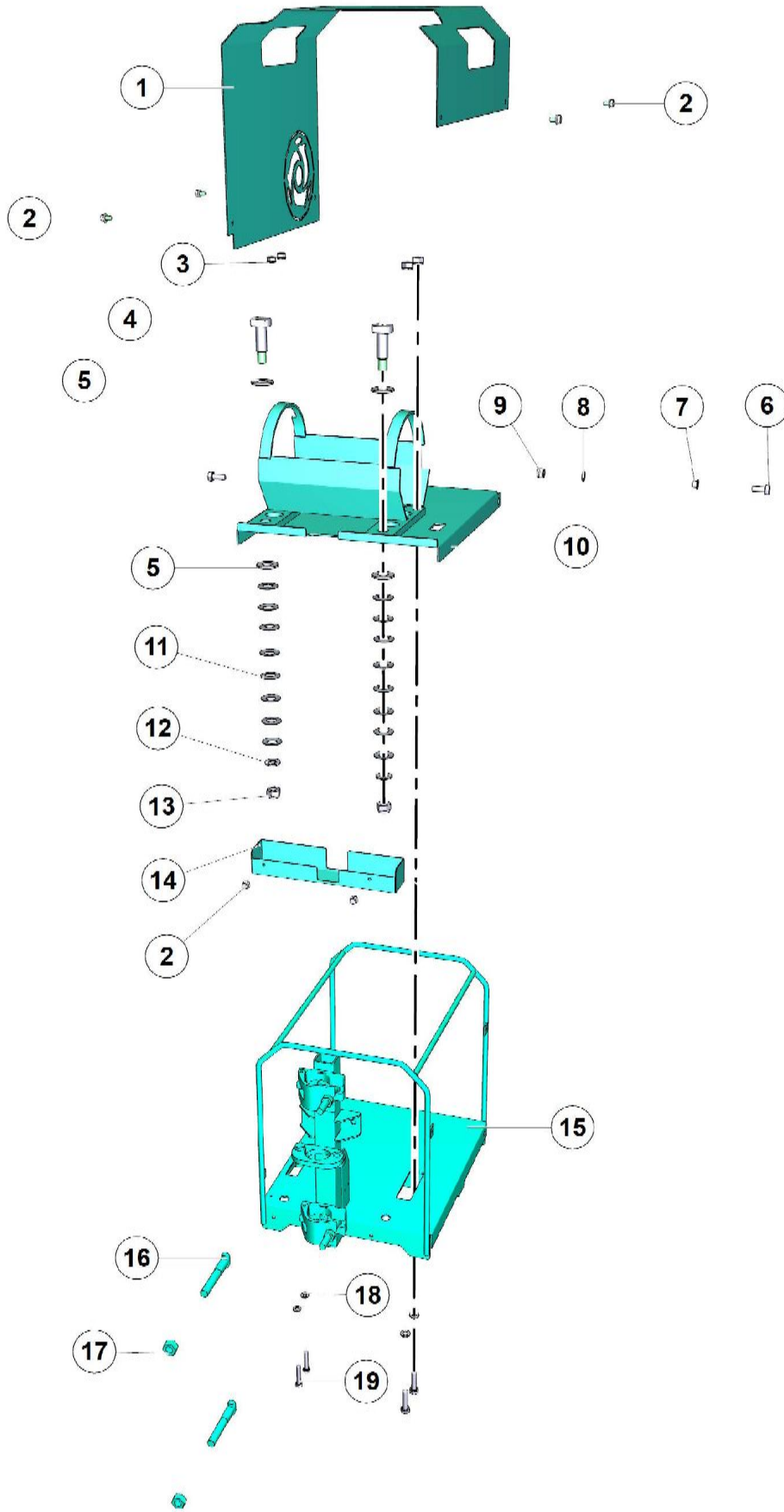
[www.imergroup.com](http://www.imergroup.com)

**Building Equipment Division**

Via della Meccanica, 39 (Zona Industriale Sentino) - 53040 Rapolano Terme  
(Siena) - ITALY - Tel. +39 0577 97341 - Fax +39 0577 704077

[www.imergroup.com](http://www.imergroup.com)

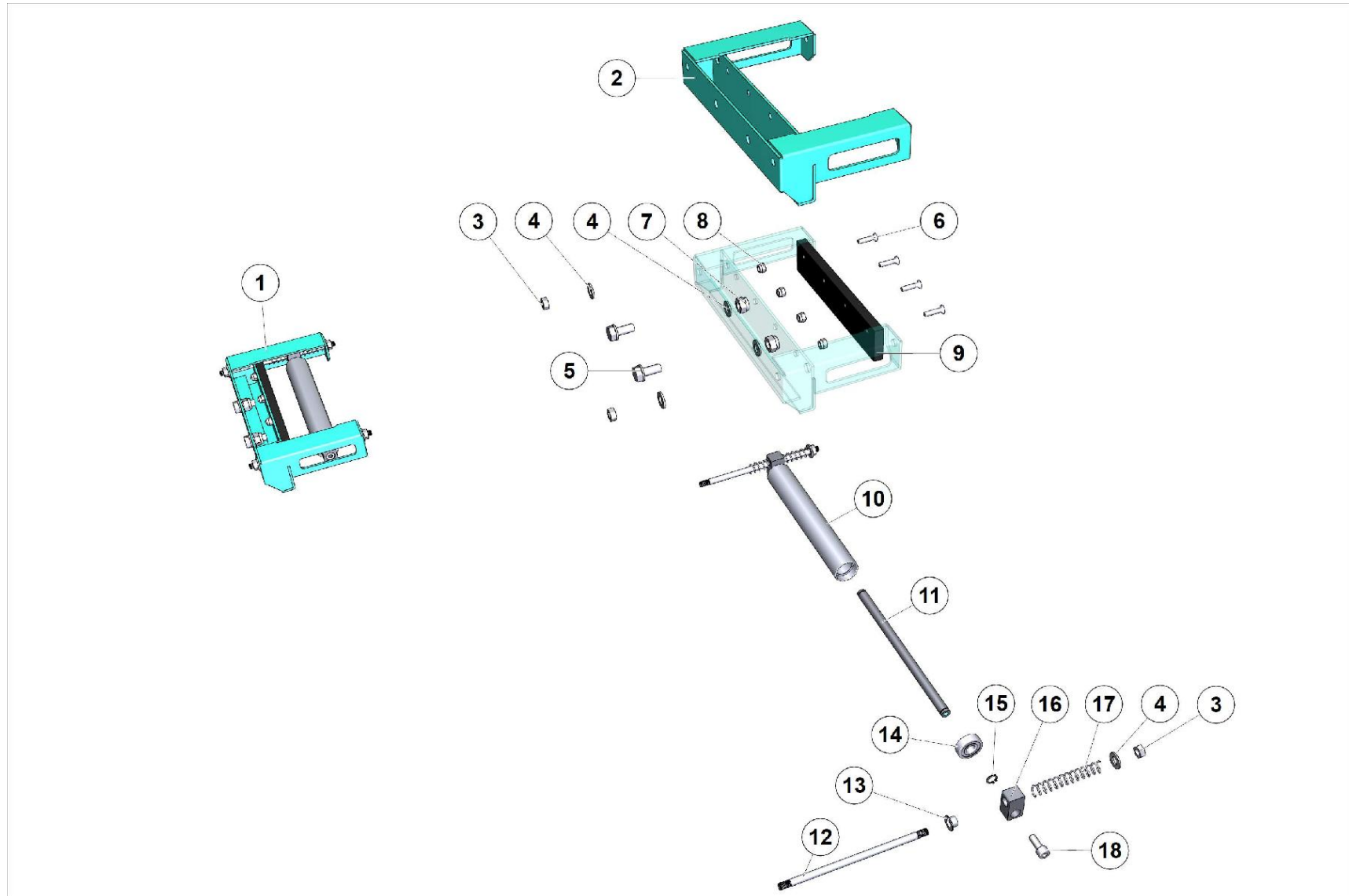
[www.imerglobalcustomercare.com](http://www.imerglobalcustomercare.com)

**FRAME**




N.	CODE	DESCRIPTION	UM	QTY
1	3238923	PAINTED CARTER		1.0
2	3225750	BOLT/SAW	PZ	6.0
3	2224060	ROLLER GROWER	PZ	4.0
4	3238941	TREATED SPRING PIN		2.0
5	2224202	WASHER	PZ	4.0
6	2222056	SCREW	PZ	2.0
7	3238917	BUSH IGLIDUR		2.0
8	2224340	ROLLER/MORTAR PUMP	PZ	2.0
9	2223920	SELF-LOCKING NUT	PZ	2.0
10	3238918	PAINTED MOBILE TOP		1.0
11	3238916	CUP SPRING		16.0
12	2224426	WASHER	PZ	2.0
13	2223929	NUT	PZ	2.0
14	3238939	PAINTED SPRING COVER SHEET		1.0
15	3238900	PAINTED FRAME		1.0
16	2222971	SCREW	PZ	2.0
17	2223700	NUT/MN	PZ	2.0
18	2224140	ROLLER 6593	PZ	4.0
19	2222189	BOLT/SAW	PZ	4.0

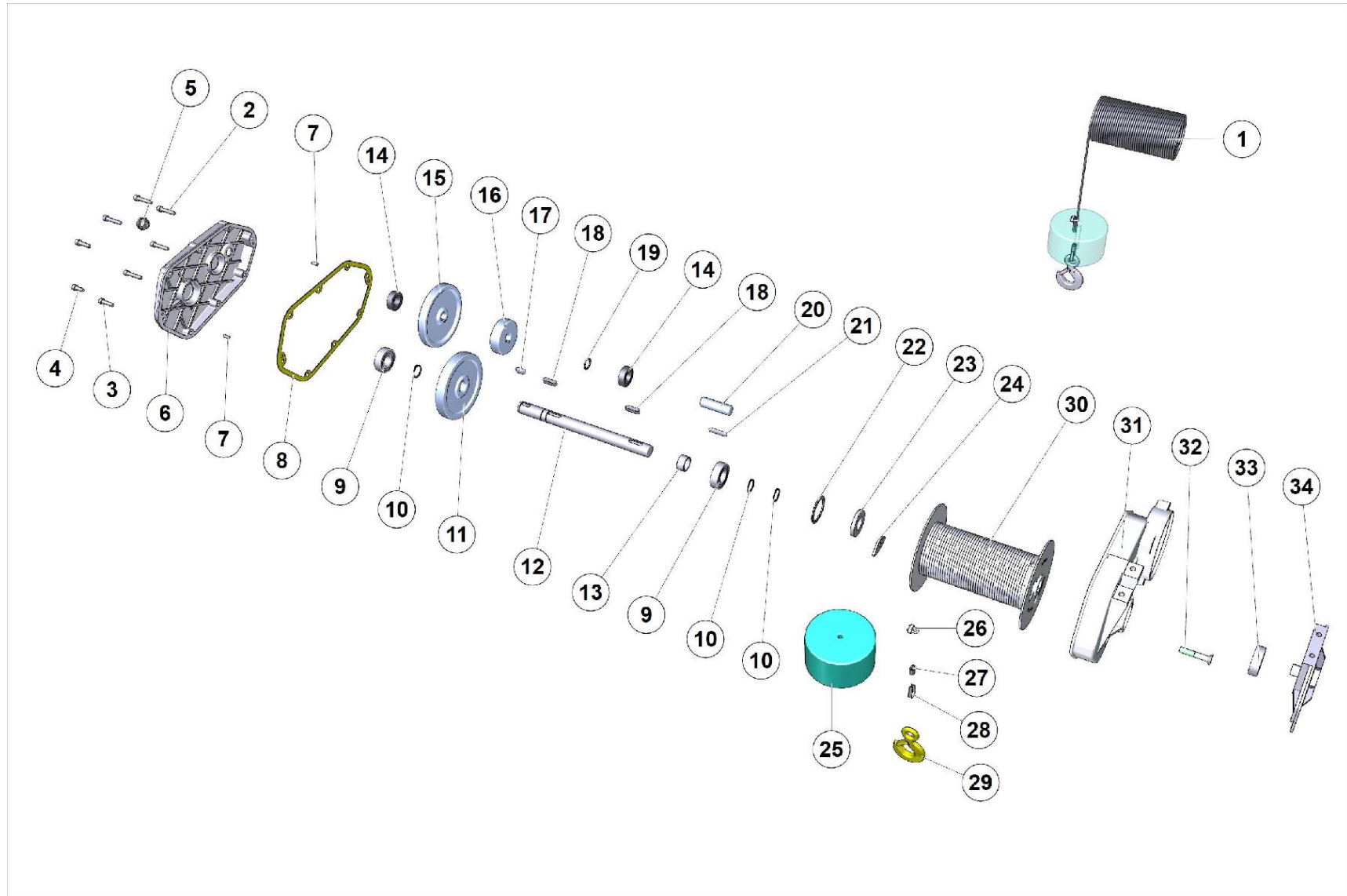
# CABLE TENSIONER BLOCK





N.	CODE	DESCRIPTION	UM	QTY
1	3238925	CABLE TENSIONER BLOCK		1.0
2	3238934	PAINTED CABLE TENSIONER BLOCK SUPPORT		1.0
3	2223570	NUT	PZ	4.0
4	2224340	ROLLER/MORTAR PUMP	PZ	6.0
5	2222056	SCREW	PZ	2.0
6	2222584	BOLT/SAW	PZ	4.0
7	2223920	SELF-LOCKING NUT	PZ	2.0
8	2223924	NUT	PZ	4.0
9	3238932	CABLE TENSIONER BLOCK		1.0
10	3238928	ROLL TREATED		1.0
11	3238930	ROLLER PIN		1.0
12	3238926	GUIDE PIN GALVANIZED		2.0
13	3238917	BUSH IGLIDUR		2.0
14	2204421	Bearing	PZ	2.0
15	2227212	STOP RING	PZ	2.0
16	3238931	TROLLEY		2.0
17	3238933	SPRING		2.0
18	2222509	SCREW	PZ	2.0

# ROPE AND GEAR BOX



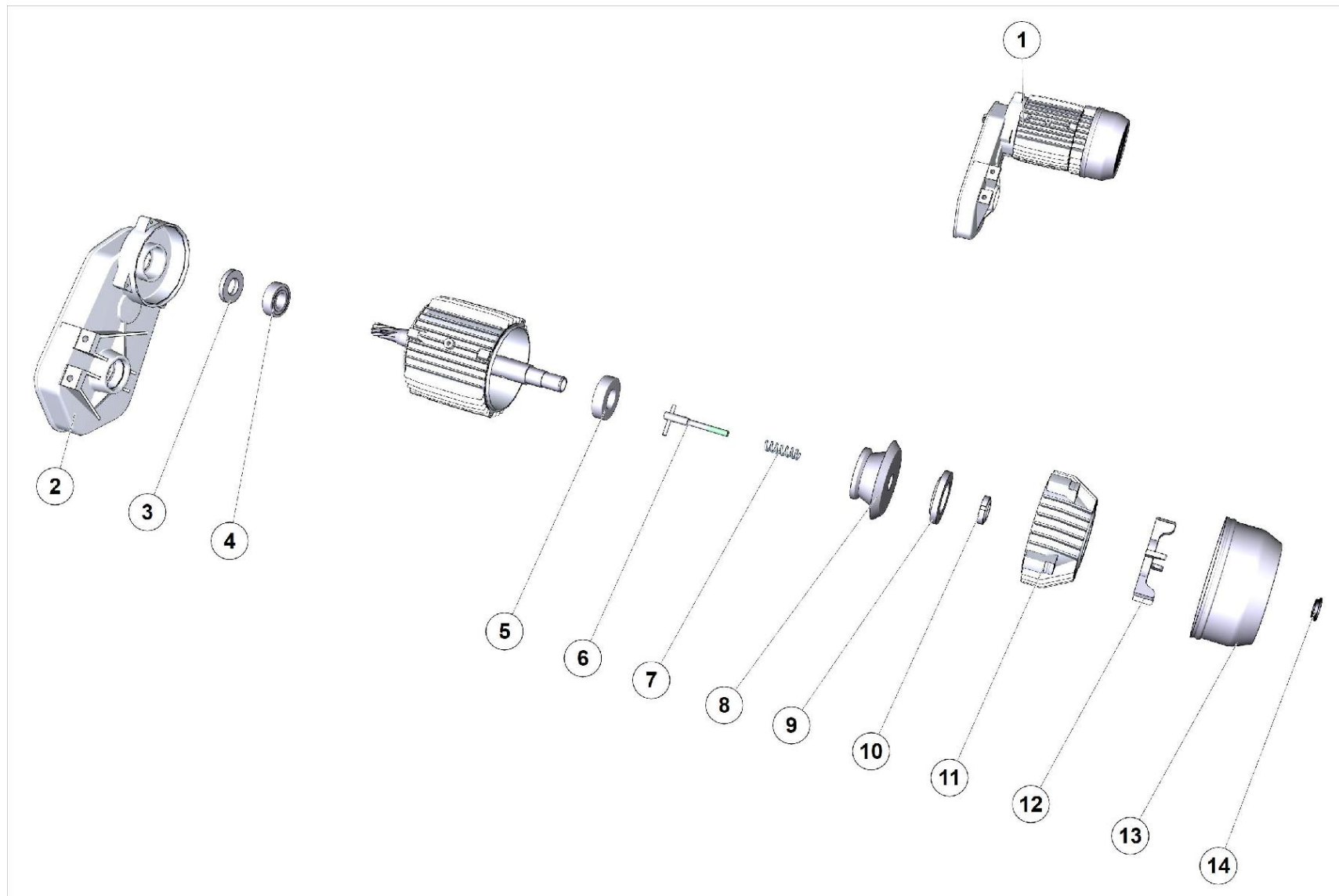


N.	CODE	DESCRIPTION	UM	QTY
1	3234292	KIT HOOK + ROPE 4X81M+FERULA *AP150	PZ	1.0
2	2222514	SCREW	PZ	4.0
3	2222513	SCREW	PZ	2.0
4	2222509	SCREW	PZ	1.0
5	2235420	level	PZ	1.0
6	3225254	GEARMOTOR FLANGE	PZ	1.0
7	2228820	Gudgeon pin	PZ	2.0
8	2216331	GASKET	PZ	1.0
9	2204550	Bearing	PZ	2.0
10	2227280	2227280 RING SNAP	PZ	3.0
11	3203972	GEAR WHEEL	PZ	1.0
12	3233718	SHAFT DRUM 39NICRMO3 BONIF. ET1000	PZ	1.0
13	2237299	SPACER	PZ	1.0
14	2204440	Bearing	PZ	2.0
15	3213528	GEAR Z76 M1,75	PZ	1.0
16	3203971	GEAR WHEEL	PZ	1.0
17	2229450	KEY	PZ	1.0
18	2229400	KEY	PZ	2.0
19	2237301	SPACER	PZ	1.0
20	2201130	SHAFT	PZ	1.0
21	2229327	KEY	PZ	1.0



N.	CODE	DESCRIPTION	UM	QTY
22	2227700	STOP RING	PZ	1.0
23	2207355	STOP RING	PZ	1.0
24	3238950	GALVANIZED DRUM CABLE CLIP		1.0
25	3238943	PAINTED COUNTERWEIGHT	PZ	1.0
26	2239400	TERMINAL/MN	PZ	1.0
27	2237660	SLEEVE	PZ	1.0
28	2238397	THIMBLE		1.0
29	2213267	HOOK	PZ	1.0
30	3238912	DRUM GALVANIZED		1.0
31	3225294	SHELL	PZ	1.0
32	3236947	SCREW TSPEI 10.9 5933 10X 55 Z		1.0
33	2204391	Bearing	PZ	1.0
34	2203155	SUPPORT	PZ	1.0

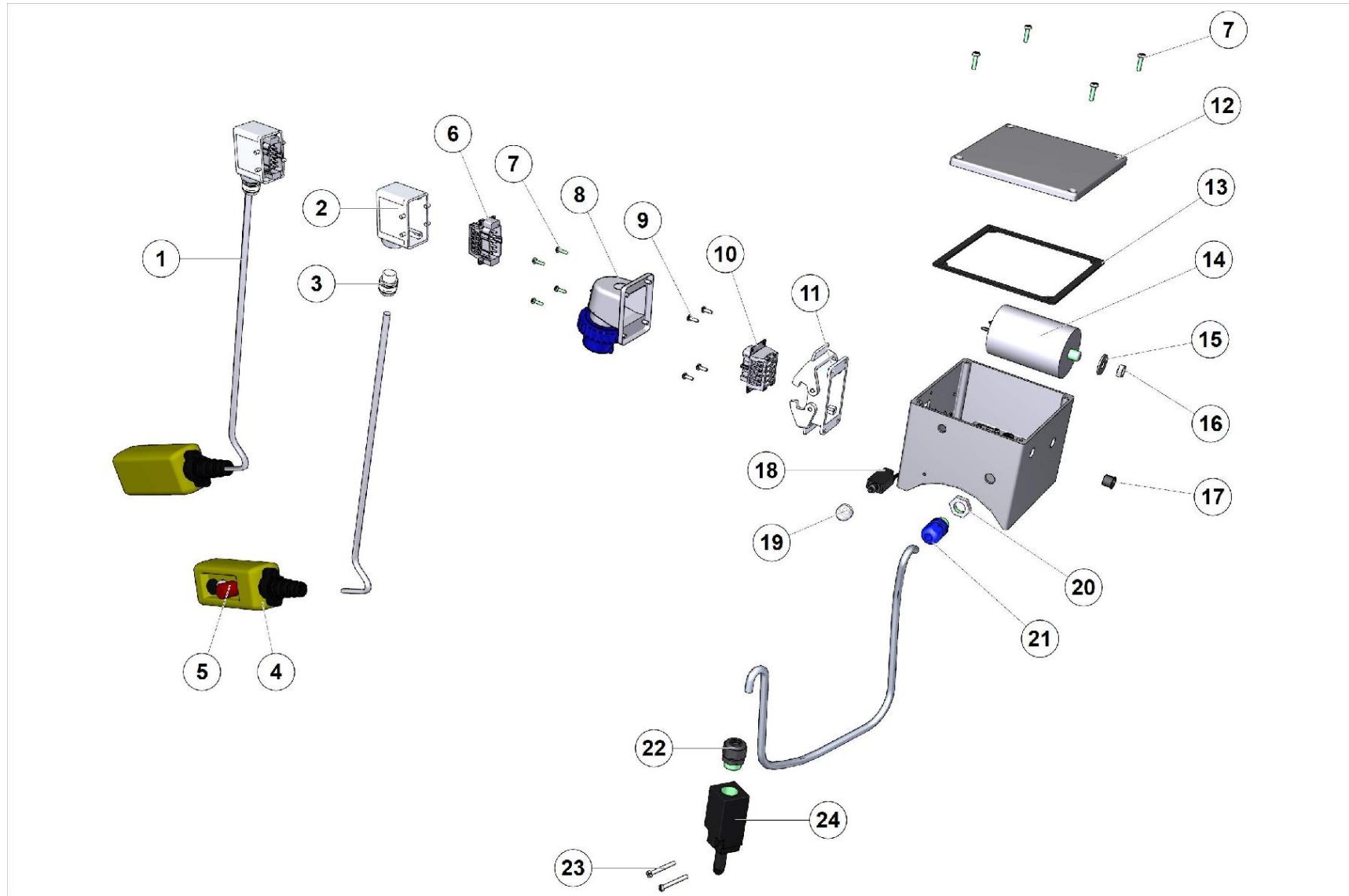
ELECTRIC MOTOR





N.	CODE	DESCRIPTION	UM	QTY
1	3231774	SELF-BRAKING MOTOR 0.8KW 230V-50HZ ET150	PZ	1.0
2	3225294	SHELL	PZ	1.0
3	2207355	STOP RING	PZ	1.0
4	2204391	Bearing	PZ	1.0
5	3208952	BEARING/MN	PZ	1.0
6	3225016	ENGINE CYLINDER 4369 230V	PZ	1.0
7	3225015	ENGINE BRAKE SPRING 4369 230V	PZ	1.0
8	3225012	BLOCK FOR BRAKE	PZ	1.0
9	3225013	ENGINE LOCKING NUT FIR 2344036	PZ	1.0
10	3225017	ENGINE LOCKING RING CG0250150 M25X1,5	PZ	1.0
11	3225014	REAR SHIELD ENGINE 4369 230V	PZ	1.0
12	3225019	MOTOR FAN	PZ	1.0
13	3225020	MOTOR FAN COVER 4369 230V BE200	PZ	1.0
14	3225021	MOTOR FAN COVER CAP 4369 230V	PZ	1.0

# ELECTRIC PANEL





N.	CODE	DESCRIPTION	UM	QTY
1	1191007	Pendant control 5 mt. for TR 225		1.0
2	2284909	CONNECTOR	PZ	1.0
3	3231960	3P TR 225 N WIRED PUSH-BUTTON PANEL 1,5	PZ	1.0
4	3224927	PENDANT CONTROL	PZ	1.0
5	3234223	'EMERGENCY BUTTON "K" ELEVATOR PUSH BU	PZ	1.0
6	2284902	Connector	PZ	1.0
7	2222461	SCREW/MN	PZ	8.0
8	3203503	PIN		1.0
9	2222460	SCREW/CONC.MIXER	PZ	8.0
10	2284901	Connector	PZ	1.0
11	2284907	HOUSING	PZ	1.0
12	3224575	ELECTRICAL BOX COVER TR-ET N	PZ	1.0
13	3224714	GASKET	PZ	1.0
14	3231853	CAPACITOR MF. 65 V450 D60X90 FASTON M12	PZ	1.0
15	2224204	ROLLER/SAW	PZ	1.0
16	3207129	NUT	PZ	1.0
17	2235432	CAP	PZ	1.0
18	3231966	THERMAL SWITCH 1140-G111-P1M1 11A	PZ	1.0
19	2283243	SWITCH COVER/SAW	PZ	1.0
20	3227487	CABLE GLAND NUT/SAW	PZ	1.0
21	3227508	CABLE CLAMP/SAW	PZ	1.0



N.	CODE	DESCRIPTION	UM	QTY
22	3201217	CABLE CLAMP	PZ	1.0
23	3225913	SCREW TCI 6107 4X30 Z		2.0
24	3200005	DOWN LIMIT SWITCH	PZ	1.0



**Access Platform Division**

Via San Francesco d'Assisi, 8 - 46020 Pegognaga (Mantova) - ITALY Tel. +39 0376  
554011 - Fax +39 0376 559855

[www.imergroup.com](http://www.imergroup.com)

**Building Equipment Division**

Via della Meccanica, 39 (Zona Industriale Sentino) - 53040 Rapolano Terme  
(Siena) - ITALY - Tel. +39 0577 97341 - Fax +39 0577 704077

[www.imergroup.com](http://www.imergroup.com)